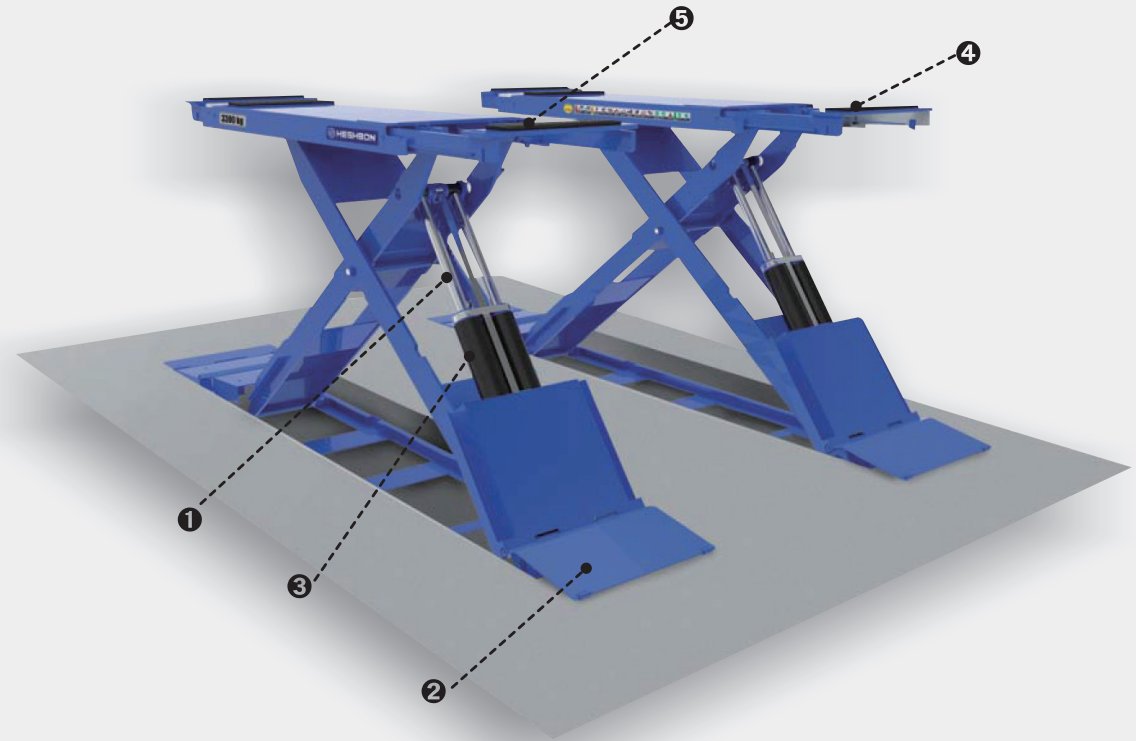
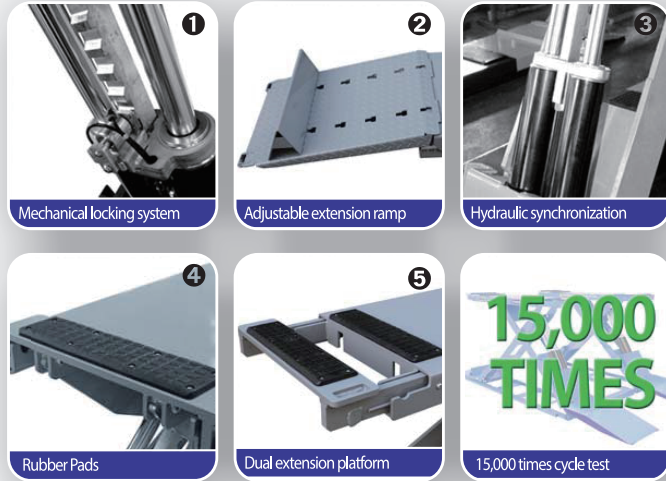


INGROUND | HL-32D

WHEELFREE 3.3TON SCISSOR LIFT



FEATURE

- Master & Slave cylinder system composed by high-Performed durable hydraulic cylinders.
- Easy synchronization control system by special hydraulic valves.
- Air cylinder operated locking device. ● Platforms slide extensions.
- Front detachable wheel stopper for drive through.
- Rubber pads on the platform to protect the vehicle chassis.
- Applicable to both in/above-ground mount. ● Descend alarm signal.
- De-synchronization detecting electronic photo-cell.
- Hydraulic hand-pump for emergency ascend/descend.
- Two step descending system gives full foot protection. ● Van Adaptor kit. (OPTION)

SPECIFICATION

Model No.	HL-32D / IN-GROUND
Dimension	3,155(L) x 143(-F.L.)(H) x 2,067(W) mm
Max.Lifting Height	1,813 mm
Lifting Time	55~65 sec.
Lowering Time	50~65 sec.
Lifting Capacity	3,300 kg
Power Supply & Motor	1PH: 2.5HP x 4P x 220V x 50/60Hz / 3PH: 2HP x 4P x 220/380V x 50/60Hz
Net Weight	1,150 kg

LAY-OUT

